

LIST OF SPARE PARTS SUPPORTS
TRP 501 / 502 / 60 / 90 / DP / SP / QD / metric (Ang)

APPENDIX OF THE TRP 500 MANUAL : RT 6009

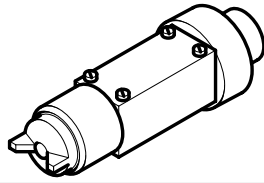
Nature of the modification : Modified spare parts plates CO1 and HD4-1 to HD4-4.

established by : DE LUCA Ph.	checked by : DI GIOIA M.	checked by : GOISOT G.	approved by : VEYRAT D.
----------------------------------------	------------------------------------	----------------------------------	-----------------------------------

The characteristics given in this manual are not binding and **SAMES** reserves the right to modify its models.

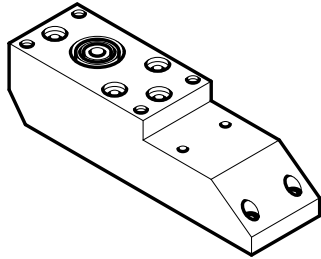
CONTENTS	Page
- SYNOPTIC.....	4
- TYPICAL EXAMPLES.....	5
- SPARE PARTS.....	7/31
CO1 - UHT 151-RM - 757 474	7
HD1-3 - MANIFOLD / DP / WITHOUT REGULATOR / METRIC - 856 331	8
HD1-4 - MANIFOLD / DP / WITHOUT REGULATOR / METRIC - 856 331	9
HD1-5 - MANIFOLD / DP / WITH REGULATOR / METRIC - 857 673	10
HD1-6 - MANIFOLD / DP / WITH REGULATOR / METRIC - 857 673	11
HD1-7 - MANIFOLD / SP / WITHOUT REGULATOR / METRIC - 852 300	12
HD1-8 - MANIFOLD / SP / WITHOUT REGULATOR / METRIC - 852 300	13
HD1-9 - MANIFOLD / SP / WITH REGULATOR / METRIC - 853 640	14
HD1-10 - MANIFOLD / SP / WITH REGULATOR / METRIC - 853 640	15
HD2-3 - INSULATING SUPPORT / DP / WITHOUT REGULATOR - 856 333	16
HD2-4 - INSULATING SUPPORT / DP / WITHOUT REGULATOR - 856 333	17
HD2-5 - INSULATING SUPPORT / DP / WITH REGULATOR - 857 692	18
HD2-6 - INSULATING SUPPORT / DP / WITH REGULATOR - 857 692	19
HD2-7 - INSULATING SUPPORT / SP / WITHOUT REGULATOR - 852 303	20
HD2-8 - INSULATING SUPPORT / SP / WITHOUT REGULATOR - 852 303	21
HD2-9 - INSULATING SUPPORT / SP / WITH REGULATOR - 853 642	22
HD2-10 - INSULATING SUPPORT / SP / WITH REGULATOR - 853 642	23
HD3-3 - CONNECTING PLATE / DP / WITHOUT REGULATOR - 856 332	24
HD3-4 - CONNECTING PLATE / DP / WITH REGULATOR - 857 691	25
HD3-5 - CONNECTING PLATE / SP / WITHOUT REGULATOR - 852 302	26
HD3-6 - CONNECTING PLATE / SP / WITH REGULATOR - 853 641	27
HD4-1 - 501 / 90 / DEGREE ADAPTER - 750 662	28
HD4-2 - 502 / 90 / DEGREE ADAPTER - 459 352	29
HD4-3 - 501 / 60 / DEGREE ADAPTER - 750 661	30
HD4-4 - 502 / 60 / DEGREE ADAPTER - 459 351	31

TRP 500

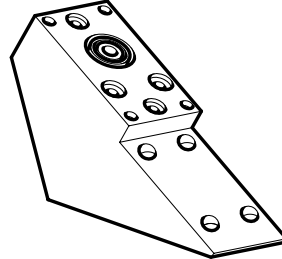


ADAPTERS

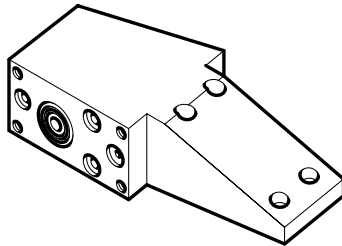
1 TRP - 90
750 662



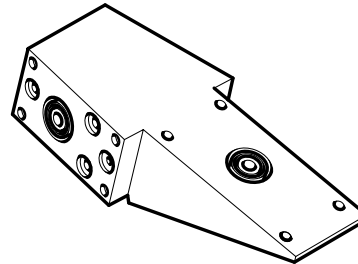
1 TRP - 60
750 661



2 TRP - 90
459 352

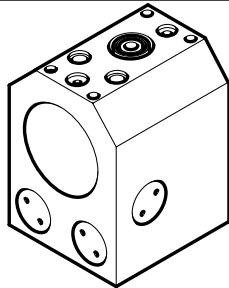


2 TRP - 60
459 351

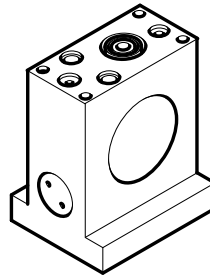


MANIFOLD

DP without reg..... 856 331
DP with reg..... 857 673

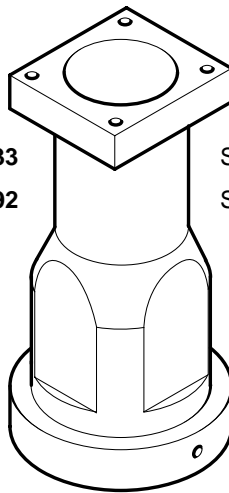


SP without reg..... 852 300
SP with reg..... 853 640



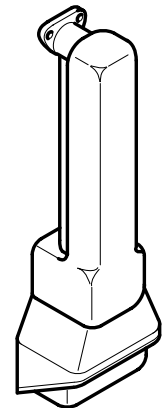
INSULATING SUPPORT

DP without reg..... 856 333
DP with reg..... 857 692



SP without reg..... 852 303
SP with reg..... 853 642

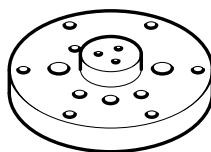
UHT



UHT 151-RM..... 757 474

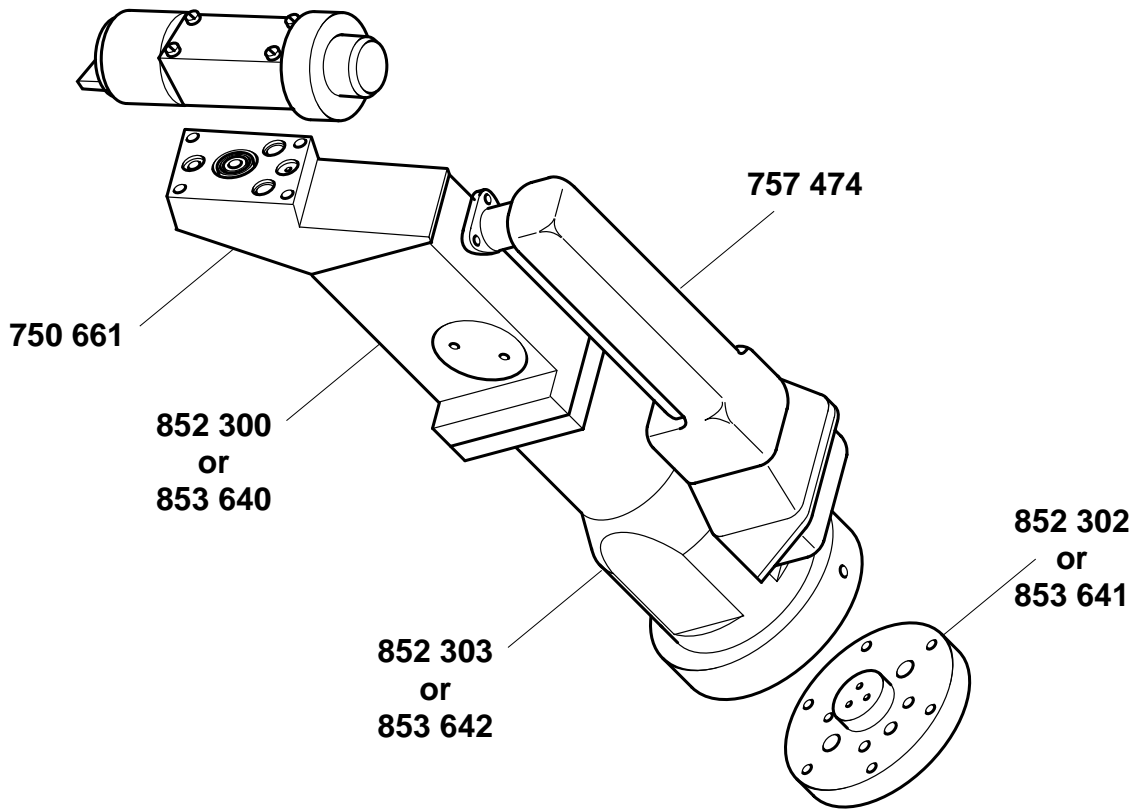
CONNECTING PLATE

DP without reg..... 856 332
DP with reg..... 857 691

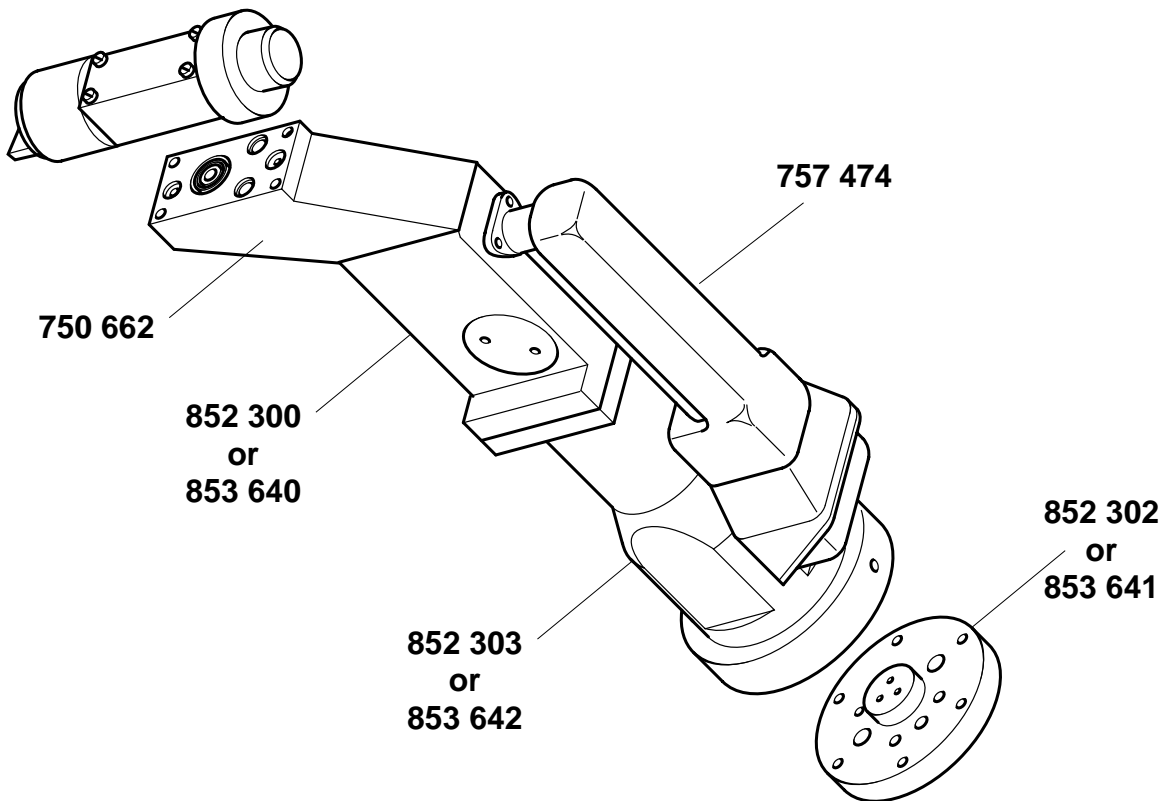


SP without reg..... 852 302
SP with reg..... 853 641

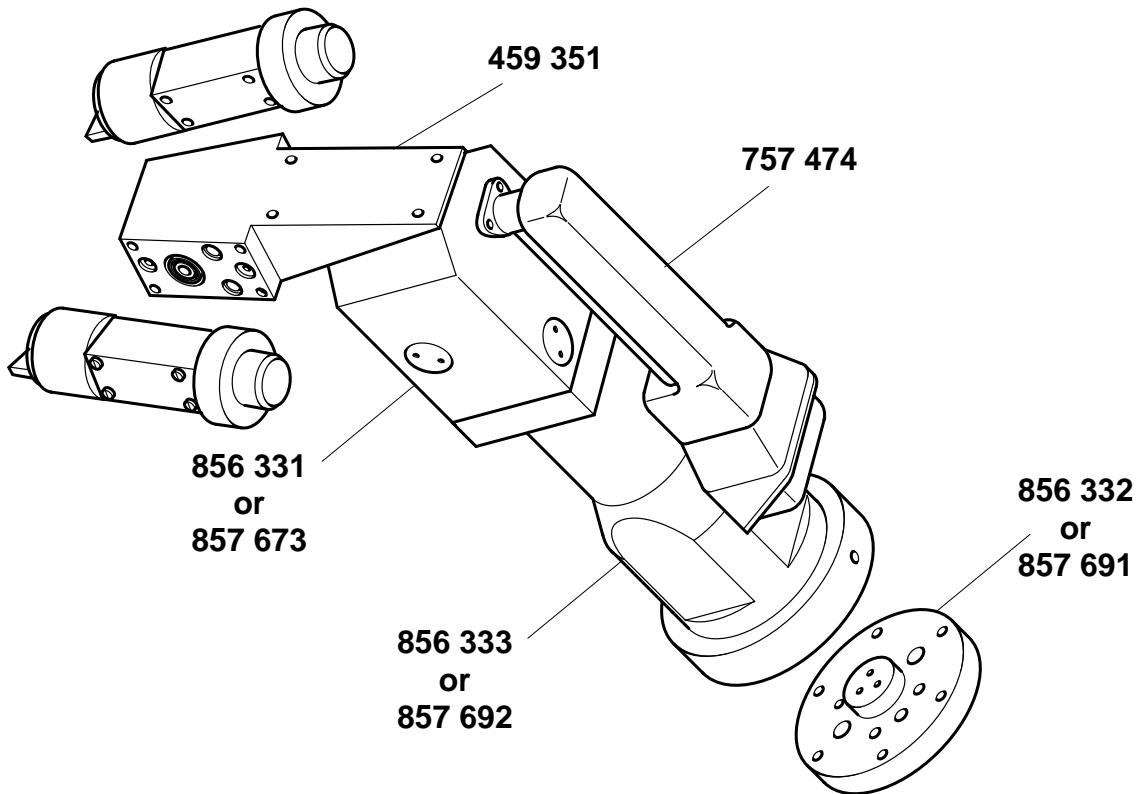
TYPICAL EXAMPLES



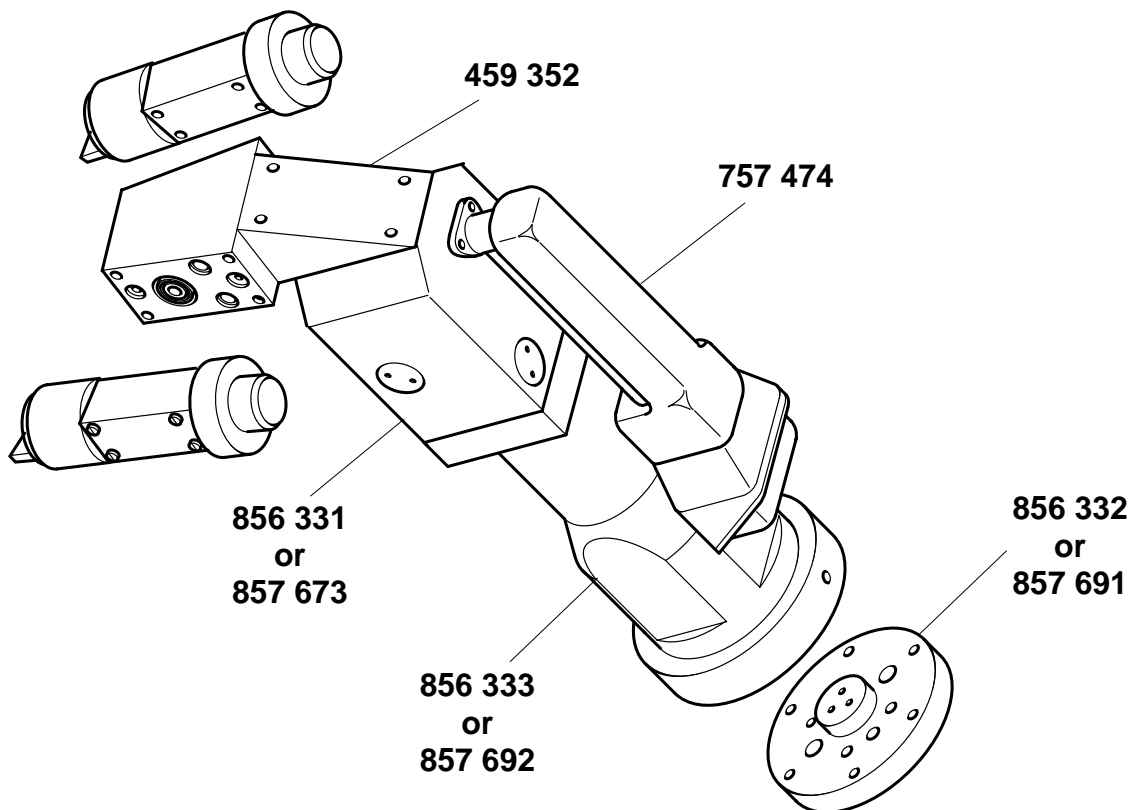
TRP - 501 60 SS P 150 - Single purge - Quick disconnect



TRP - 501 90 SS P 150 - Single purge - Quick disconnect

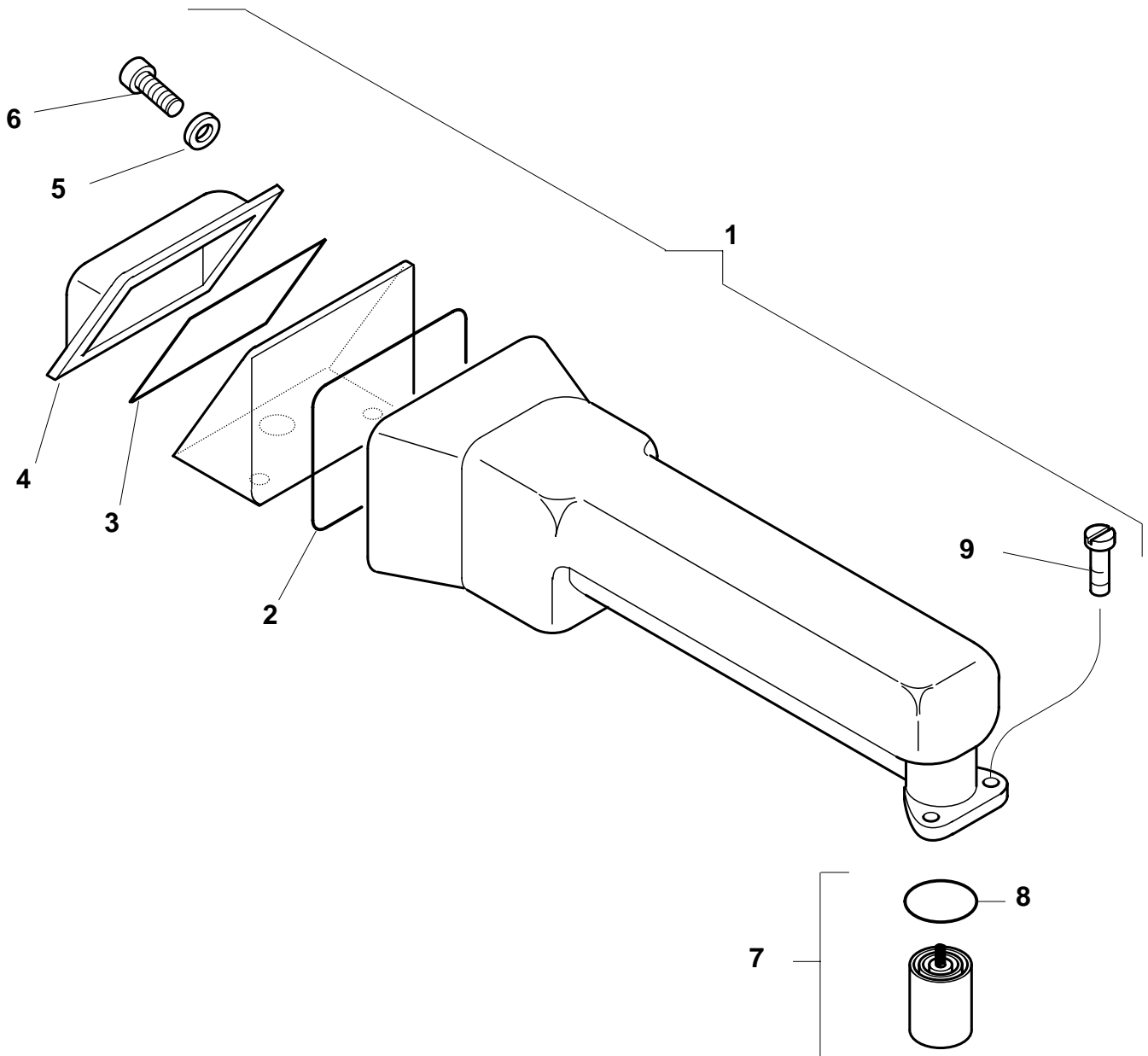


TRP - 502 60 SS P 150 - Double purge - Quick disconnect



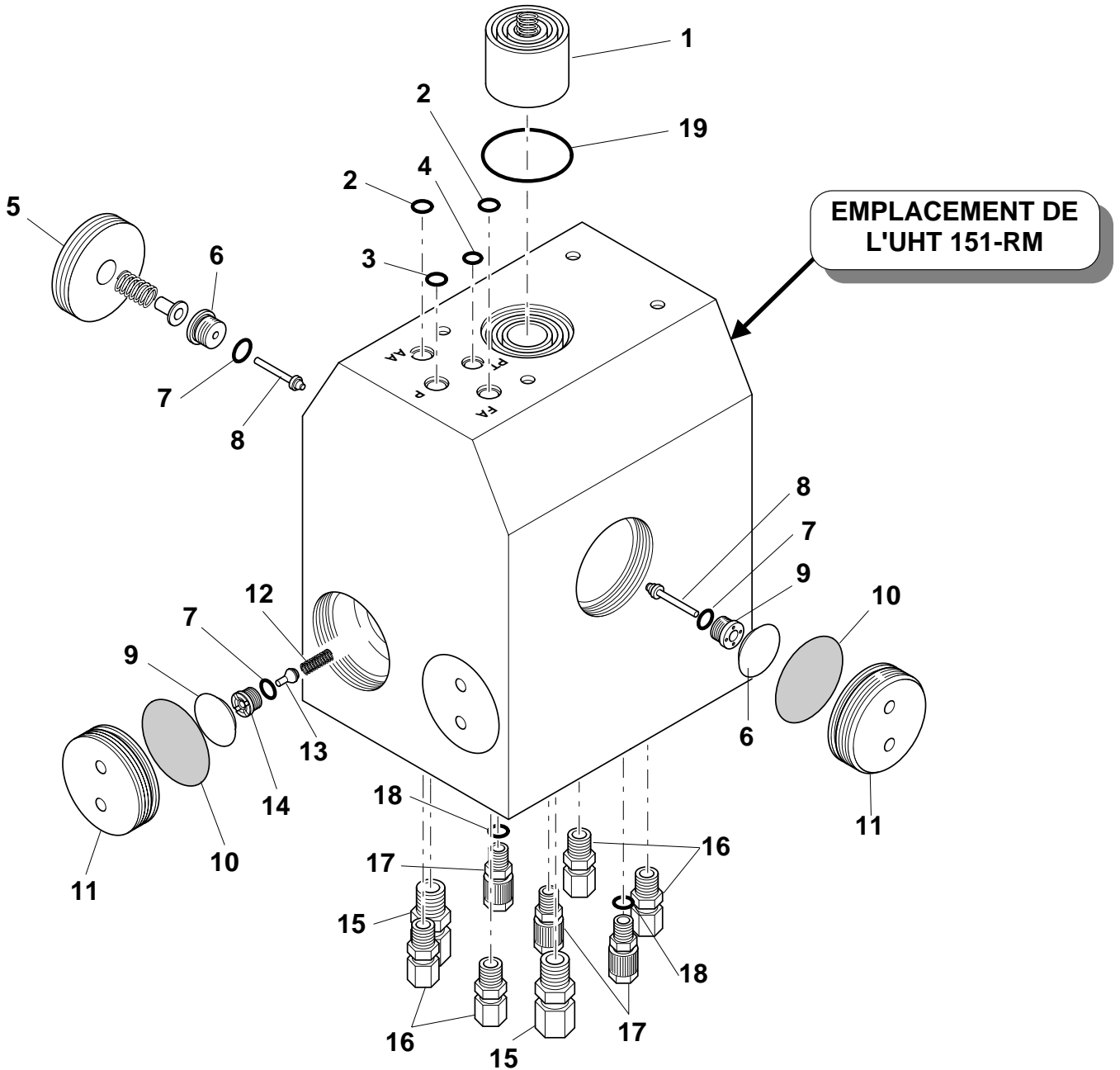
TRP - 502 90 SS P 150 - Double purge - Quick disconnect

UHT 151-RM - 757 474



Item	SAMES code	Description	Qty	Sales Unit
1	757 474	UHT 151-RM		1
2	• J3E TOR 149	O-ring Diam. 76 x 3	1	10
3	• J3E TOR 154	O-ring Diam. 81 x 2	1	10
4	• 438 704	Cover	1	1
5	• J2C RAN 041	Seal washer	4	4
6	• X2B VKY 118	Screw SCR M 4 x 10	4	1
7	• 448 768	Main isolator assembly	1	1
8	•• J2F TDF 279	O-ring Diam. 22.5 x 2	1	1
9	• X9N VCB 181	Screw C M 5 x 10 nylon	2	1

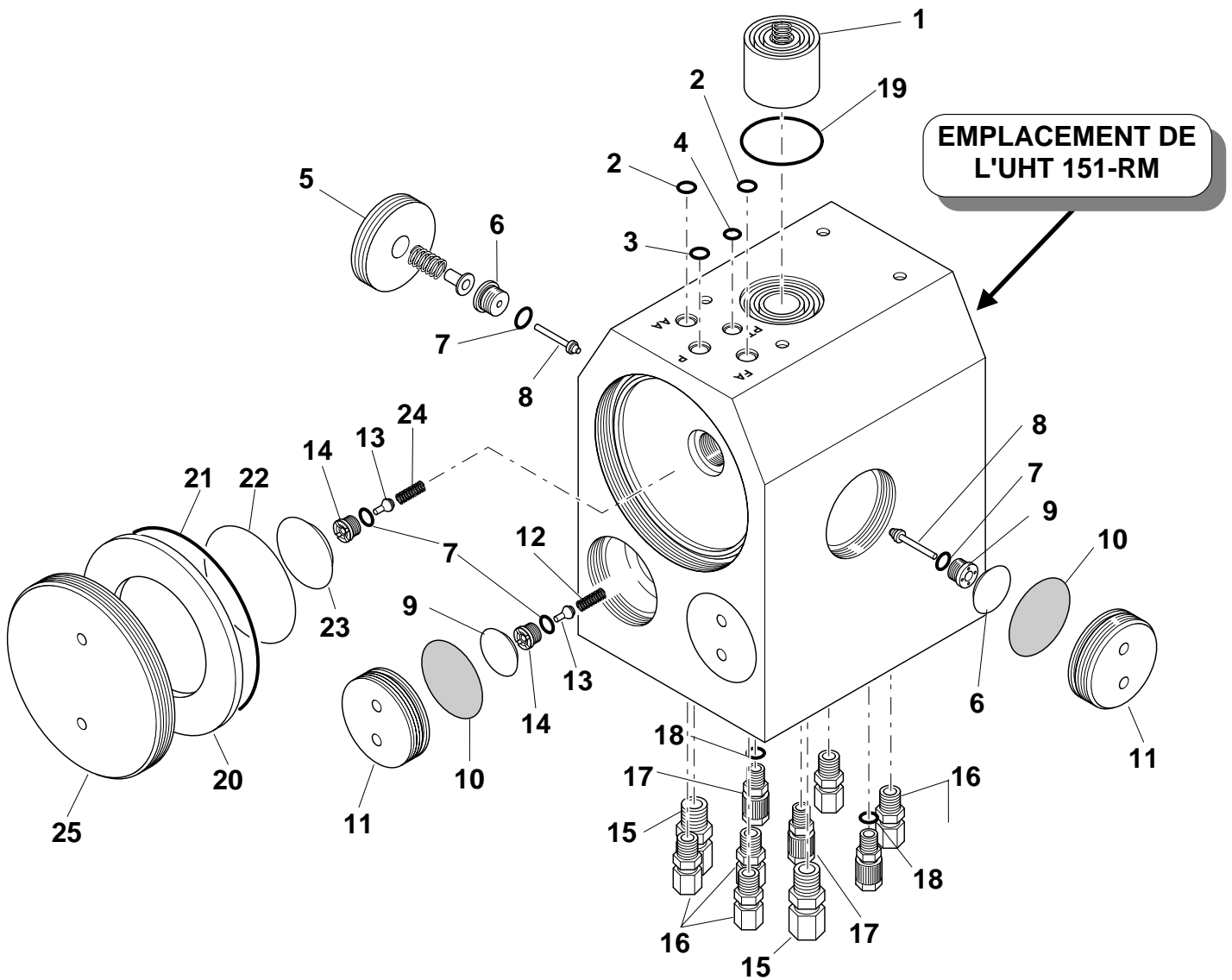
MANIFOLD / DP / WITHOUT REGULATOR / METRIC - 856 331



MANIFOLD / DP / WITHOUT REGULATOR / METRIC - 856 331

Item	SAMES code	Item on the manifold	Description	Qty	Sales unit
	856 331	-	MANIFOLD / DP / WITHOUT REGULATOR / METRIC		1
1	448 768	-	Main isolator assembly	1	1
2	J2F TCF 018	AA-FA	O-ring Diam. 8.9 x 1.9 viton	2	1
3	J2F TCF 008	P	O-ring	1	1
4	J3S TKL 011	PT	O-ring Diam. 6.4 x 1.9 perfluorined	1	1
5	741 962	-	Valve cover	1	1
6	742 632	-	Needle valve guide ass'y	2	1
7	J3T TCN 007	-	O-ring Diam. 10.5 x 2 PTFE	4	1
8	755 551	-	Poppet	2	1
9	449 546	-	Valve diaphragm	3	1
10	449 549	-	Diaphragm	3	1
11	449 548	-	Valve cover	3	1
12	742 760	-	Valve spring	2	1
13	740 511	-	Poppet	2	1
14	742 761	-	Regulator seat	2	1
15	F6R PUK 334	AA-FA	Nylon union	2	1
16	745 578	PV-PT-PD1-PD2	Nylon union	4	1
17	F6R PUQ 252	D-P1-P2	Male nylon union	3	1
18	J3T TCN 009	P1-P2	O-ring Diam. 5.28 x 1.78 PTFE	2	1
19	J3E TOR 046	-	O-ring Diam. 22.5 x 2 EP 851	1	1

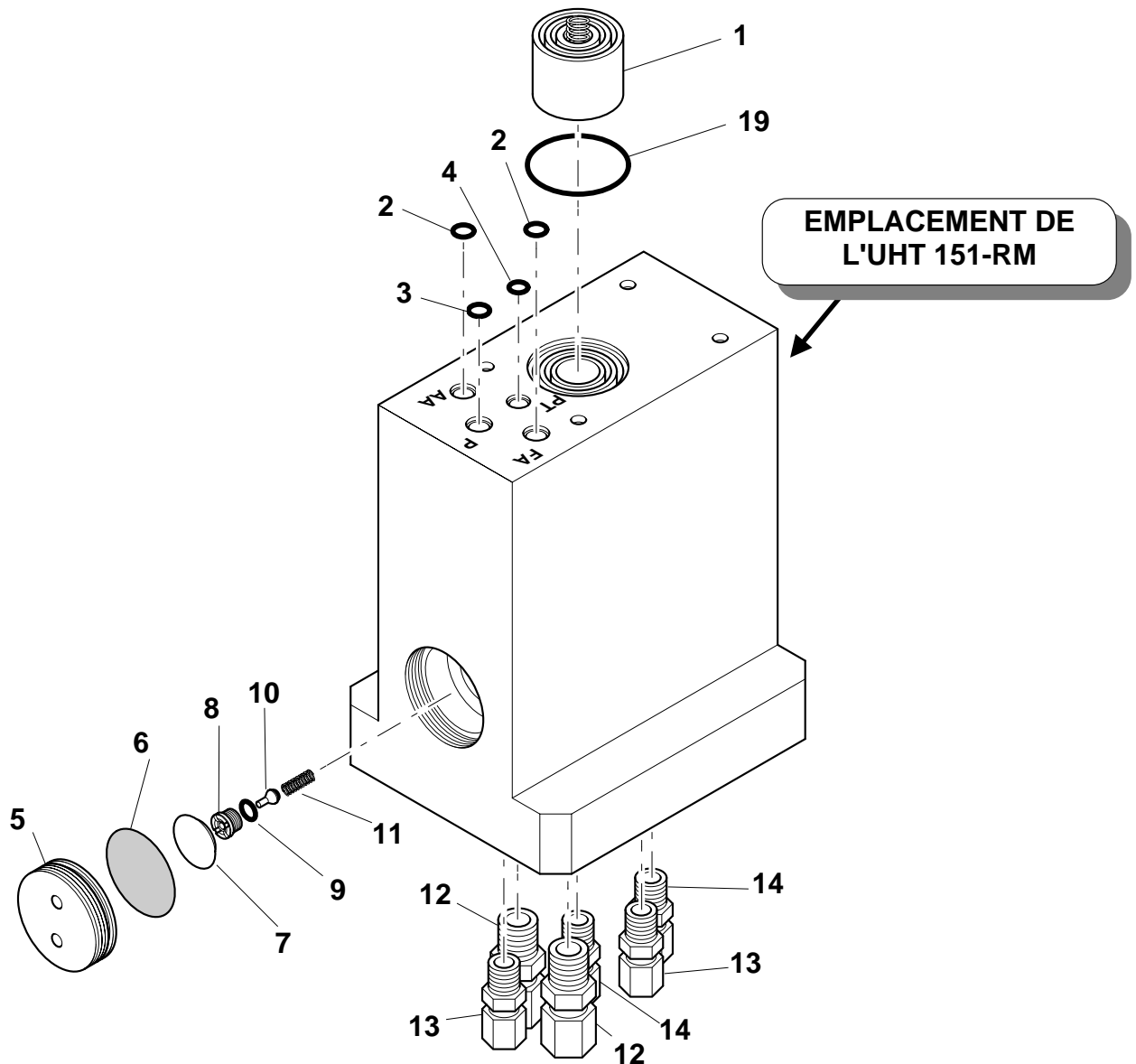
MANIFOLD / DP / WITH REGULATOR / METRIC - 857 673



MANIFOLD / DP / WITH REGULATOR / METRIC - 857 673

Item	SAMES code	Item on the manifold	Description	Qty	Sales unit
	857 673	-	MANIFOLD / DP / WITH REGULATOR / METRIC		1
1	448 768	-	Main isolator assembly	1	1
2	J2F TCF 018	AA-FA	O-ring Diam. 8.9 x 1.9 viton	2	1
3	J2F TCF 008	P	O-ring	1	1
4	J3S TKL 011	PT	O-ring Diam. 6.4 x 1.9 perfluorinated	1	1
5	741 962	-	Valve cover	1	1
6	742 632	-	Needle valve guide ass'y	2	1
7	J3T TCN 007	-	O-ring Diam. 10.5 x 2 PTFE	5	1
8	755 551	-	Poppet	2	1
9	449 546	-	Valve diaphragm	3	1
10	449 549	-	Diaphragm	3	1
11	449 548	-	Valve cover	3	1
12	742 760	-	Valve spring	2	1
13	740 511	-	Poppet	3	1
14	742 761	-	Regulator seat	3	1
15	F6R PUK 334	AA-FA	Nylon union	2	1
16	745 578	PV-PT-PD1-PD2-PR	Nylon union	5	1
17	F6R PUQ 252	D-P1-P2	Male nylon union	3	1
18	J3T TCN 009	P1-P2	O-ring Diam. 5.28 x 1.78 PTFE	2	1
19	J3E TOR 046	-	O-ring Diam. 22.5 x 2 EP 851	1	1
20	741 037	-	Air pilot disk	1	1
21	J3E TOR 097	-	O-ring	1	1
22	449 550	-	Diaphragm	1	1
23	449 545	-	Diaphragm holder	1	1
24	742 759	-	Spring	1	1
25	741 286	-	Regulator cover	1	1

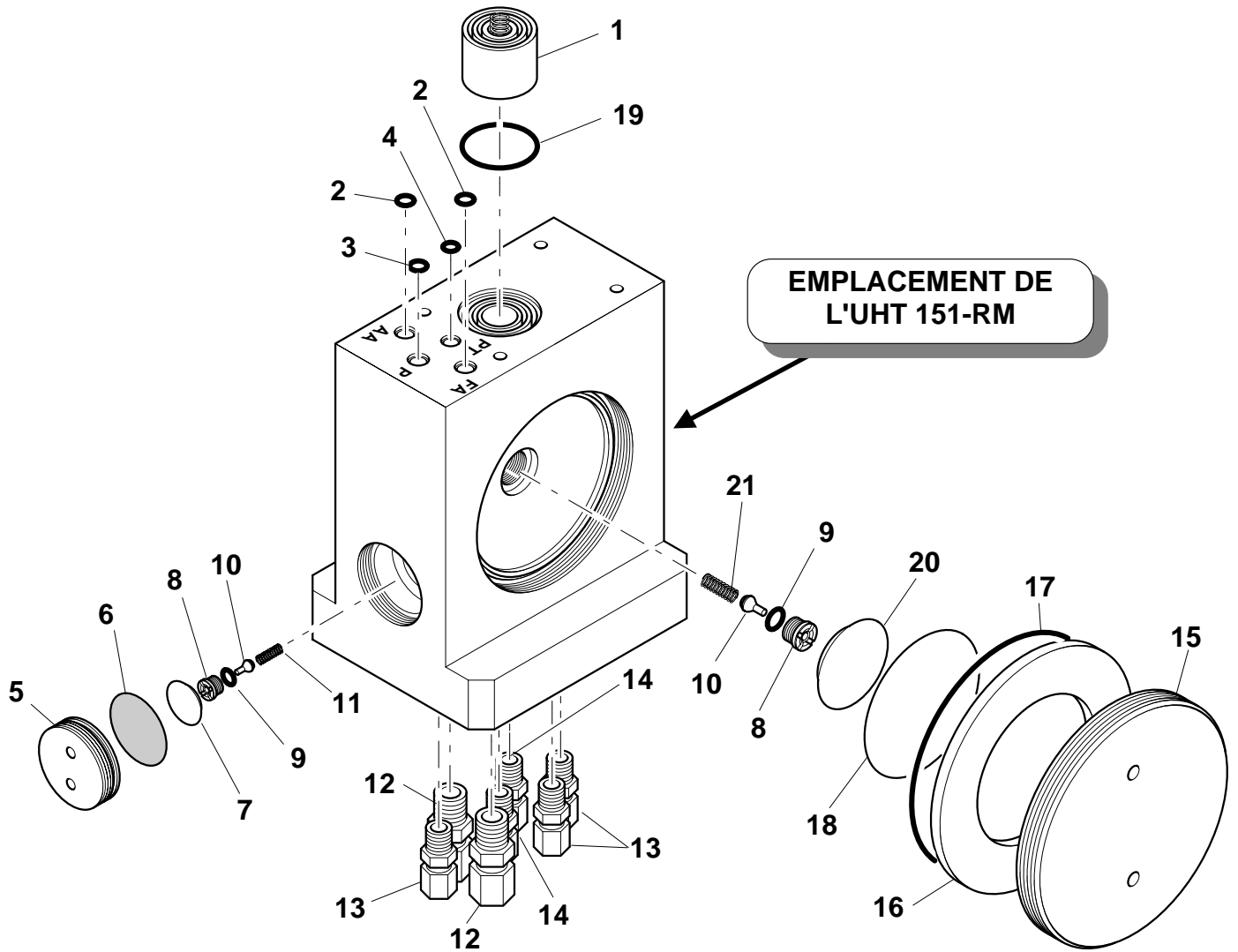
MANIFOLD / SP / WITHOUT REGULATOR / METRIC - 852 300



MANIFOLD / SP / WITHOUT REGULATOR / METRIC - 852 300

Item	SAMES code	Item on the manifold	Description	Qty	Sales unit
	852 300	-	MANIFOLD / SP / WITHOUT REG. / METRIC		1
1	448 768	-	Main isolator assembly	1	1
2	J2F TCF 018	AA-FA	O-ring Diam. 8.9 x 1.9 viton	2	1
3	J2F TCF 008	P	O-ring	1	1
4	J3S TKL 011	PT	O-ring Diam. 6.4 x 1.9 perfluorinated	1	1
5	449 548	-	Valve cover	1	1
6	449 549	-	Diaphragm	1	1
7	449 546	-	Valve diaphragm	1	1
8	742 761	-	Regulator seat	1	1
9	J3T TCN 007	-	O-ring Diam. 10.5 x 2 PTFE	1	1
10	740 511	-	Poppet	1	1
11	742 760	-	Valve spring	1	1
12	F6R PUK 334	AA-FA	Nylon union	2	1
13	745 578	PD-PT	Nylon union	2	1
14	F6R PUK 326	D-P	Male nylon union	2	1
19	J3E TOR 046	-	O-ring Diam. 22.5 x 2 EP 851	1	1

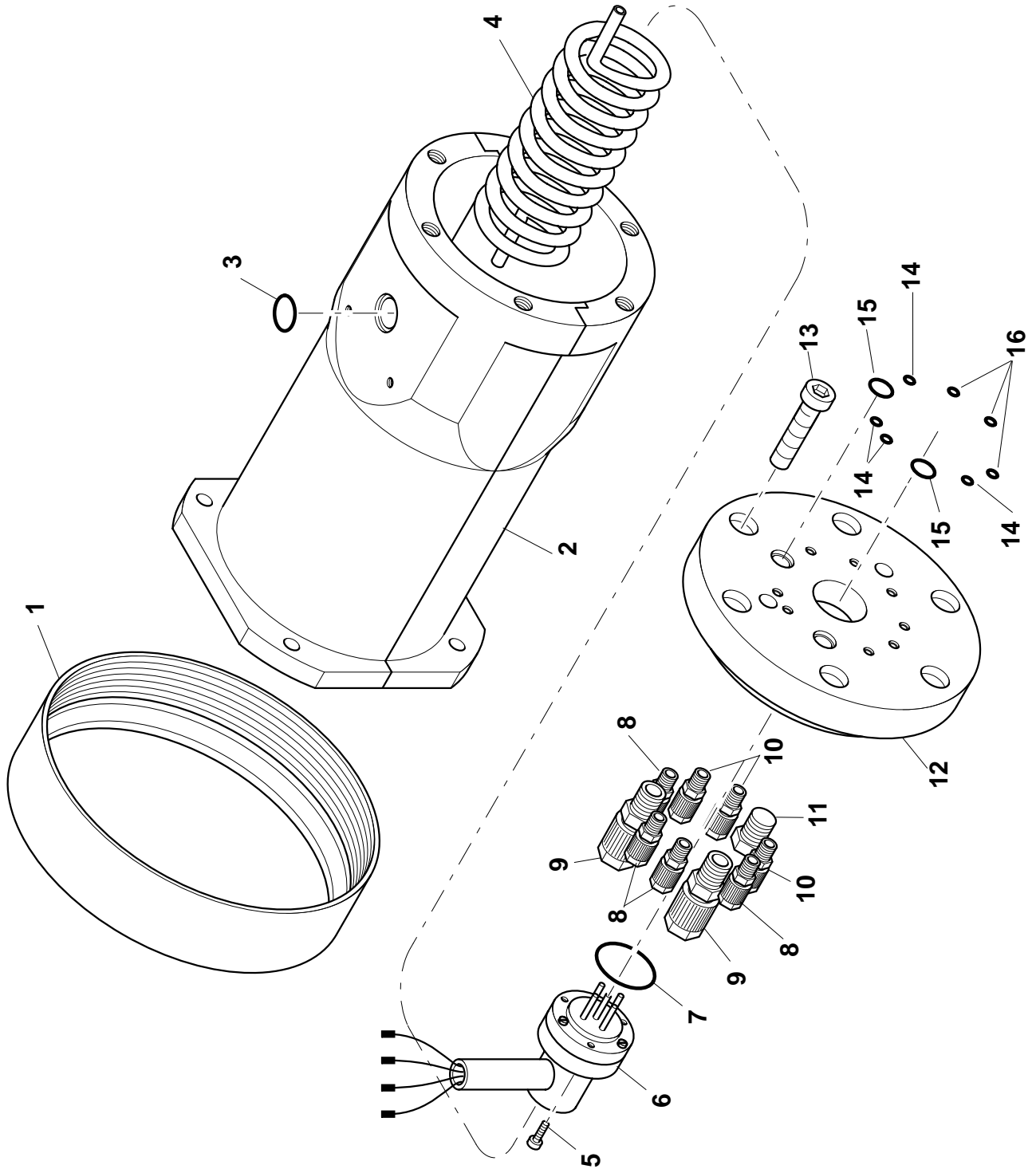
MANIFOLD / SP / WITH REGULATOR / METRIC - 853 640



MANIFOLD / SP / WITH REGULATOR / METRIC - 853 640

Item	SAMES code	Item on the manifold	Description	Qty	Sales unit
	853 640	-	BLOC MANIFOLD / SP / AVEC REG. / METRIC	1	1
1	448 768	-	Main isolator assembly	1	1
2	J2F TCF 018	AA-FA	O-ring Diam. 8.9 x 1.9 viton	2	1
3	J2F TCF 008	P	O-ring	1	1
4	J3S TKL 011	PT	O-ring Diam. 6.4 x 1.9 perfluorined	1	1
5	449 548	-	Valve cover	1	1
6	449 549	-	Diaphragm	1	1
7	449 546	-	Valve diaphragm	1	1
8	742 761	-	Regulator seat	1	1
9	J3T TCN 007	-	O-ring Diam. 10.5 x 2 PTFE	1	1
10	740 511	-	Poppet	1	1
11	742 760	-	Valve spring	1	1
12	F6R PUK 334	AA-FA	Nylon union	2	1
13	745 578	PD-PR-PT	Nylon union	3	1
14	F6R PUK 326	D-P	Male nylon union	2	1
15	741 286	-	Regulator cover	1	1
16	741 037	-	Air pilot disk	1	1
17	J3E TOR 097	-	O-ring	1	1
18	449 550	-	Diaphragm	1	1
19	J3E TOR 046	-	O-ring Diam. 22.5 x 2 EP 851	1	1
20	449 545	-	Diaphragm holder	1	1
21	742 759	-	Spring	1	1

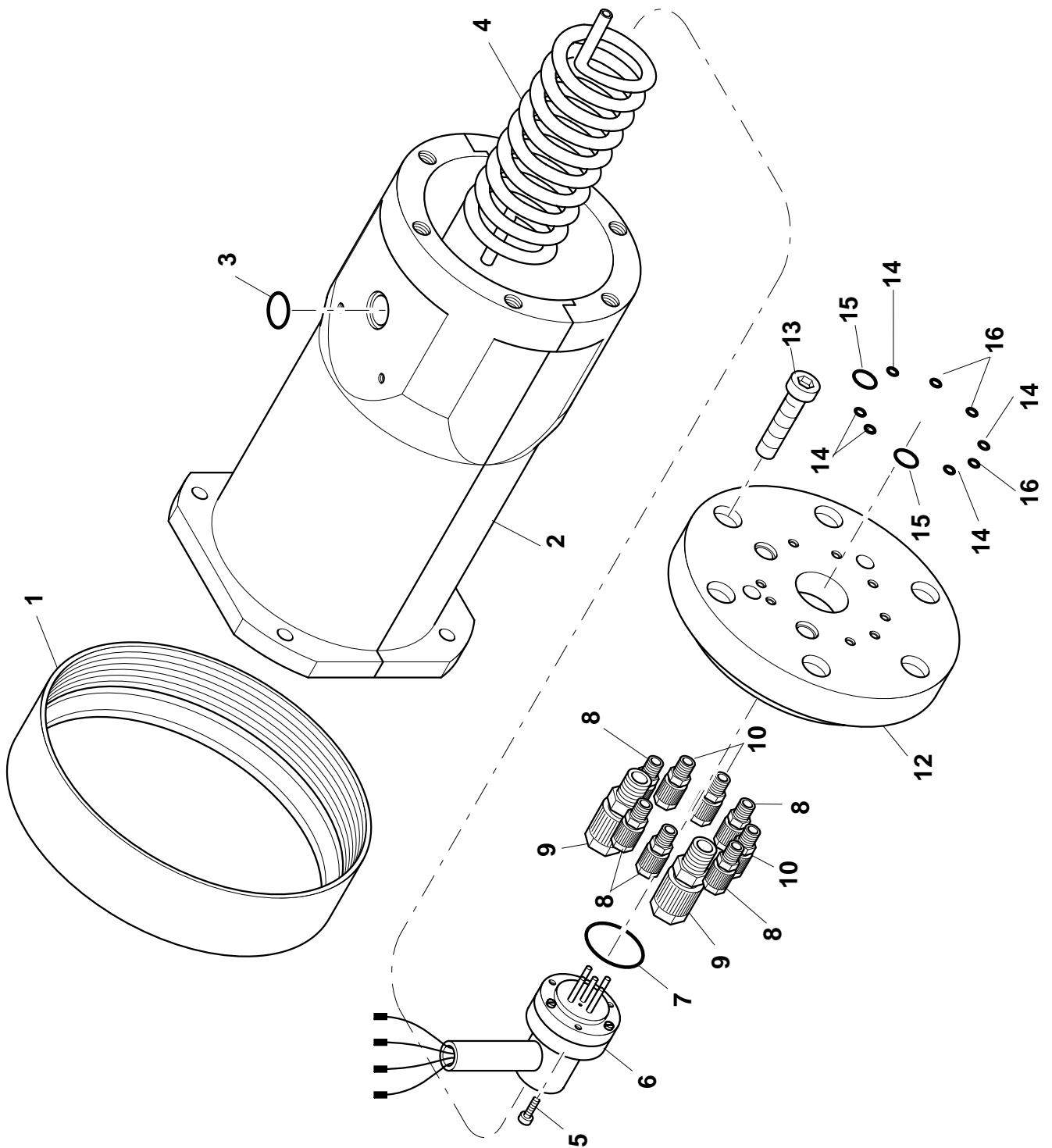
INSULATING SUPPORT / DP / WITHOUT REGULATOR - 856 333



INSULATING SUPPORT / DP / WITHOUT REGULATOR - 856 333

Item	SAMES code	Item on the flange	Description	Qty	Sales unit
	856 333	-	INSULATING SUPPORT / DP / WITHOUT REGULATOR		1
1	744 633	-	Q/D nut	1	1
2	425 405	-	Insulating support	1	1
3	J2C TCN 015	-	O-ring Diam. 8 x 2 - HP1S	1	1
4	436 528	for union item. 10	Teflon coil	3	1
5	X9N VCB 069	-	Nylon screw C M 3 x 16	3	10
6	756 638	-	Mounted male plug 5 pins	1	1
7	J2C TCN 042	-	O-ring	1	1
8	745 578	PD1-PD2-PT-PV	Nylon union	4	1
9	F6R PUK 334	AA-FA	Nylon union	2	1
10	F6R PUQ 252	D-P1-P2	Nylon union	3	1
11	F6R PAB 002	PR	Nylon plug	1	1
12	415 281	-	Lower flange	1	1
13	X4F VSY 184	-	Screw CHc M 5 x 16 Stainless steel	6	1
14	J2F TCF 043	-	O-ring	4	1
15	J2F TCF 018	-	O-ring Diam. 8.9 x 1.9 viton	2	1
16	J3S TKL 008	-	O-ring Diam. 5.7 x 1.9 - perfluorinated	3	1
17	U1G LBT 177	for unions item. 8	Polyurethane blue hose, external Diam. 4 mm		m
18	U1G LBT 133	for unions item. 9	Polyurethane blue hose, external Diam. 10 mm		m

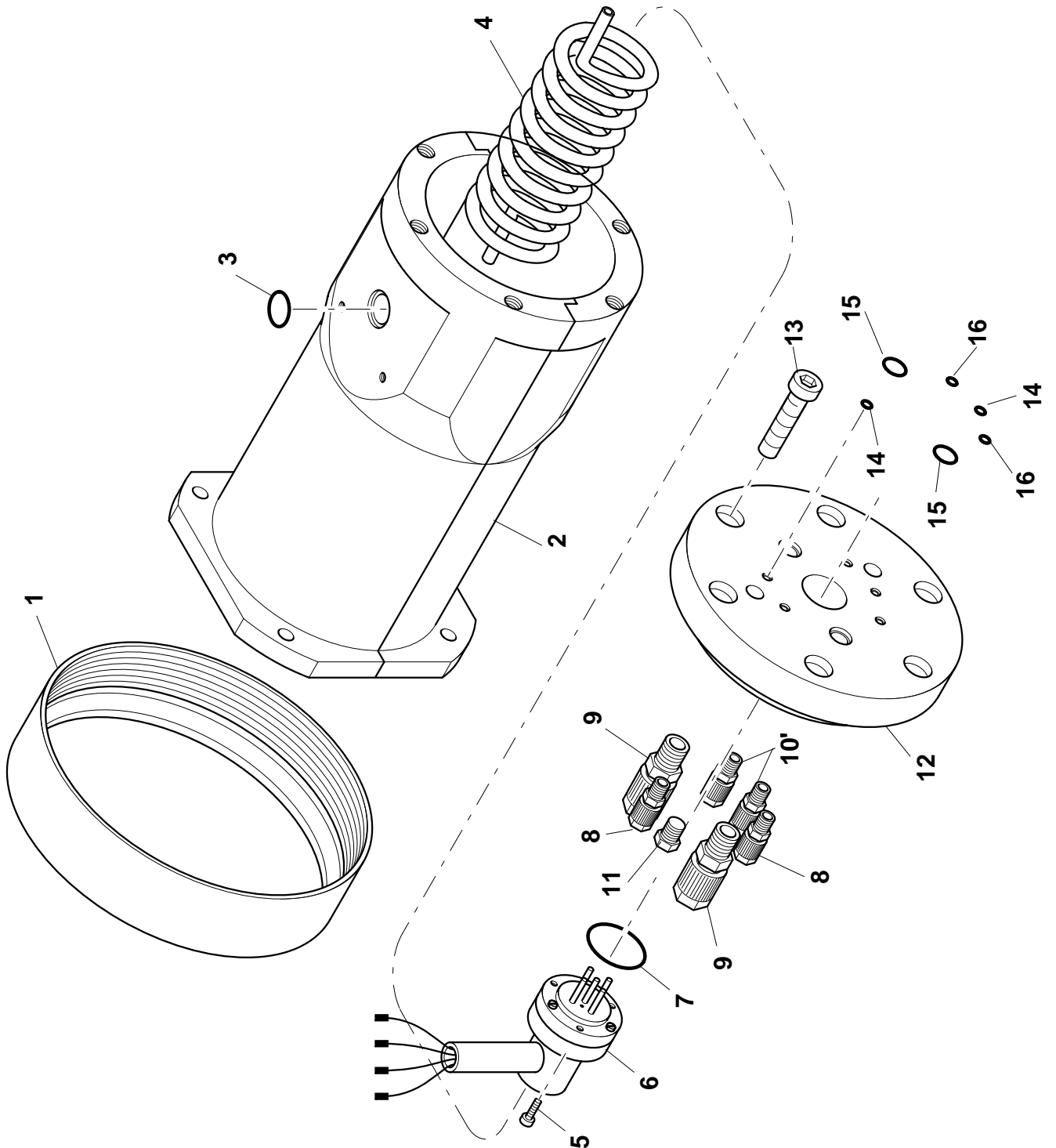
INSULATING SUPPORT / DP / WITH REGULATOR - 857 692



INSULATING SUPPORT / DP / WITH REGULATOR - 857 692

Item	SAMES code	Item on the flange	Description	Qty	Sales unit
	857 692	-	INSULATING SUPPORT / DP / WITH REGULATOR		1
1	744 633	-	Q/D nut	1	1
2	425 405	-	Insulating support	1	1
3	J2C TCN 015	-	O-ring Diam. 8 x 2 - HP1S	1	1
4	436 528	for union item. 10	Teflon coil	3	1
5	X9N VCB 069	-	Nylon screw C M 3 x 16	3	10
6	756 638	-	Mounted male plug 5 pins	1	1
7	J2C TCN 042	-	O-ring	1	1
8	745 578	PD1-PD2-PR-PT-PV	Nylon union	5	1
9	F6R PUK 334	AA-FA	Nylon union	2	1
10	F6R PUQ 252	D-P1-P2	Nylon union	3	1
12	415 281	-	Lower flange	1	1
13	X4F VSY 184	-	Screw CHc M 5 x 16 Stainless steel	6	1
14	J2F TCF 043	-	O-ring	4	1
15	J2F TCF 018	-	O-ring Diam. 8.9 x 1.9 viton	2	1
16	J3S TKL 008	-	O-ring Diam. 5.7 x 1.9 - perfluorinated	3	1
17	U1G LBT 177	for unions item. 8	Polyurethane blue hose, external Diam. 4 mm		m
18	U1G LBT 133	for unions item. 9	Polyurethane blue hose, external Diam. 10 mm		m

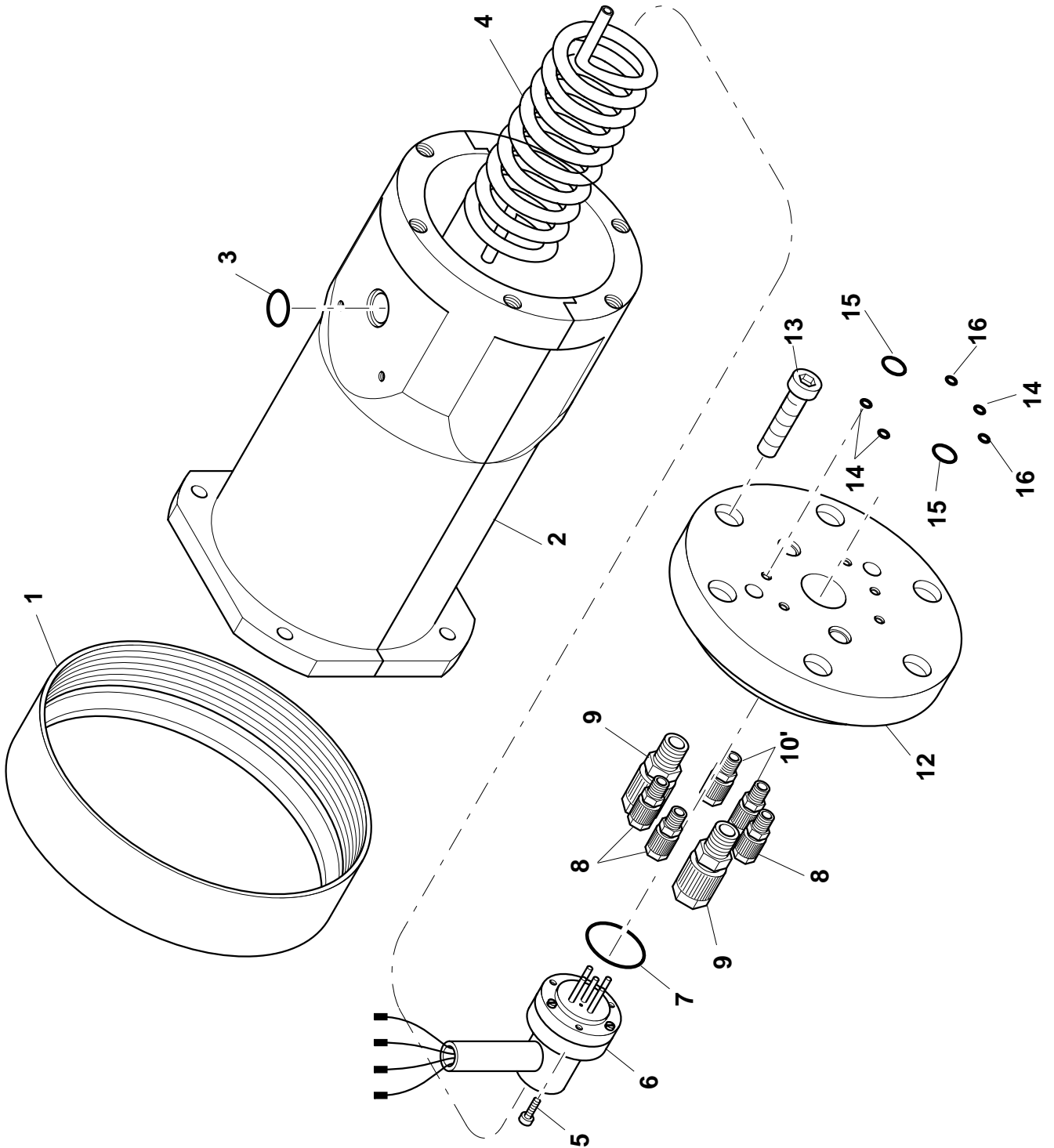
INSULATING SUPPORT / SP / WITHOUT REGULATOR - 852 303



INSULATING SUPPORT / SP / WITHOUT REGULATOR - 852 303

Item	SAMES code	Item on the flange	Description	Qty	Sales unit
	852 303	-	INSULATING SUPPORT / SP / WITHOUT REGULATOR		1
1	744 633	-	Q/D nut	1	1
2	425 405	-	Insulating support	1	1
3	J2C TCN 015	-	O-ring Diam. 8 x 2 - HP1S	1	1
4	436 528	for unions item. 10'	Teflon coil	2	1
5	X9N VCB 069	-	Nylon screw C M 3 x 16	3	10
6	756 638	-	Mounted male plug 5 pins	1	1
7	J2C TCN 042	-	O-ring	1	1
8	745 578	PD-PT	Nylon union	2	1
9	F6R PUK 334	AA-FA	Nylon union	2	1
10'	F6R PUK 326	D-P	Nylon union	2	1
11	F6R PAB 002	PR	Nylon plug	1	1
12	415 282	-	Lower flange	1	1
13	X4F VSY 184	-	Screw CHc M 5 x 16 Stainless steel	6	1
14	J2F TCF 043	-	O-ring	2	1
15	J2F TCF 018	-	O-ring Diam. 8.9 x 1.9 viton	2	1
16	J3S TKL 008	-	O-ring Diam. 5.7 x 1.9 - perfluorinated	2	1
17	U1G LBT 177	for unions item. 8	Polyurethane blue hose, external Diam. 4 mm		m
18	U1G LBT 133	for unions item. 9	Polyurethane blue hose, external Diam. 10 mm		m

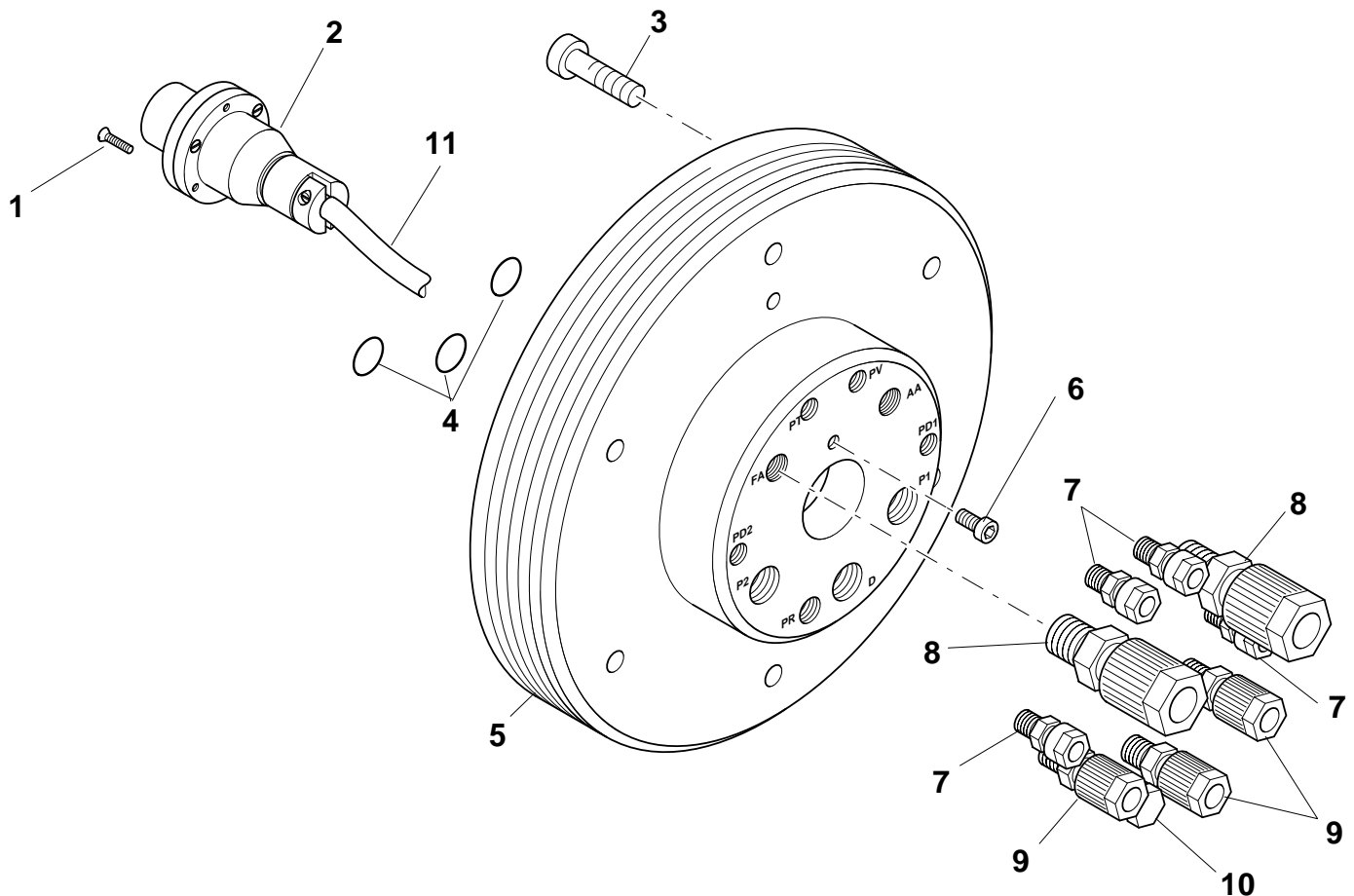
INSULATING SUPPORT / SP / WITH REGULATOR - 853 642



INSULATING SUPPORT / SP / WITH REGULATOR - 853 642

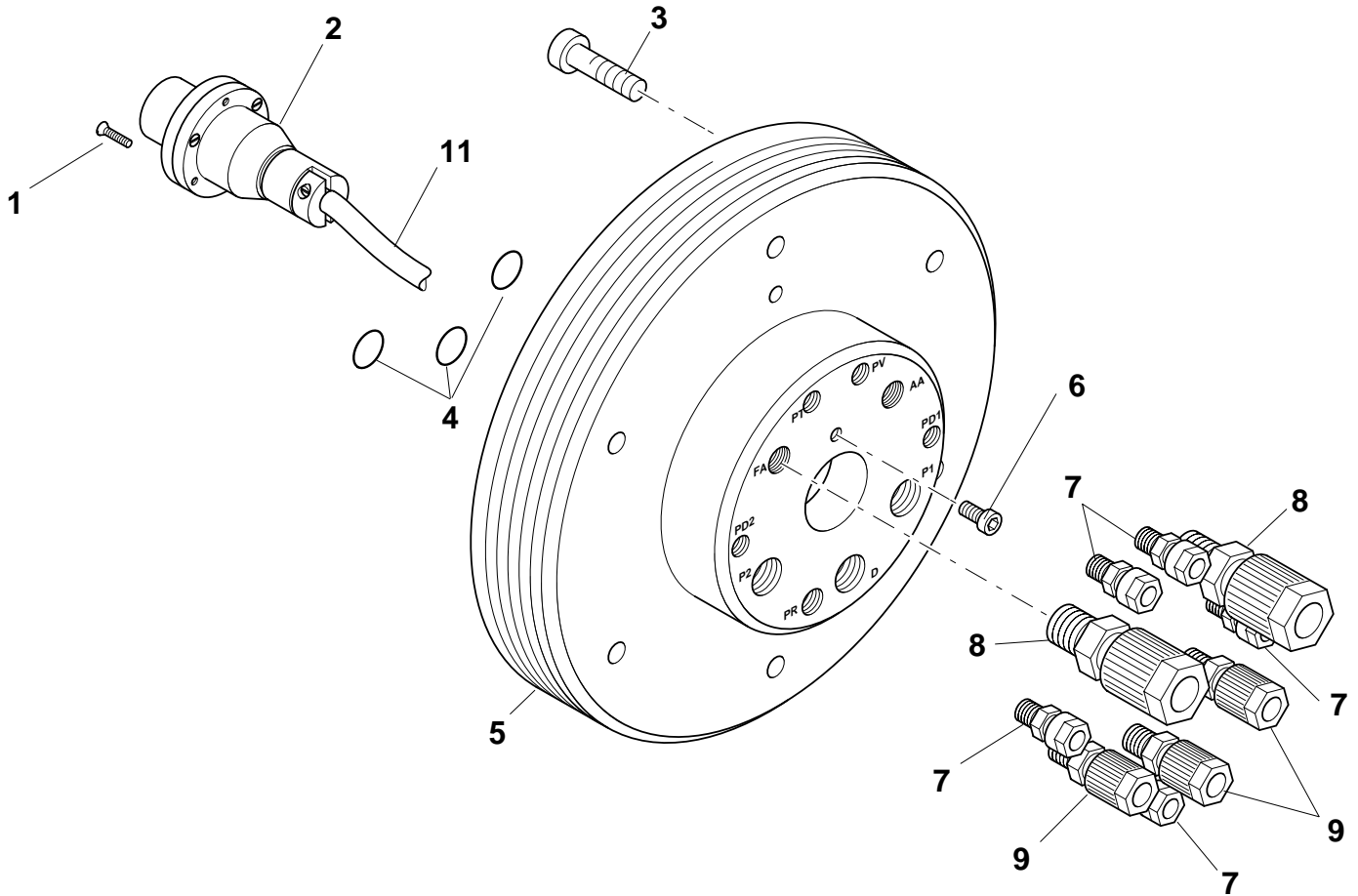
Item	SAMES code	Item on the flange	Description	Qty	Sales unit
	853 642	-	INSULATING SUPPORT / SP / WITH REGULATOR		1
1	744 633	-	Q/D nut	1	1
2	425 405	-	Insulating support	1	1
3	J2C TCN 015	-	O-ring Diam. 8 x 2 - HP1S	1	1
4	436 528	for union item. 10'	Teflon coil	2	1
5	X9N VCB 069	-	Nylon screw C M 3 x 16	3	10
6	756 638	-	Mounted male plug 5 pins	1	1
7	J2C TCN 042	-	O-ring	1	1
8	745 578	PD-PT	Nylon union	3	1
9	F6R PUK 334	AA-FA	Nylon union	2	1
10'	F6R PUK 326	D-P	Nylon union	2	1
12	415 282	-	Lower flange	1	1
13	X4F VSY 184	-	Screw CHc M 5 x 16 Stainless steel	6	1
14	J2F TCF 043	-	O-ring	3	1
15	J2F TCF 018	-	O-ring Diam. 8.9 x 1.9 viton	2	1
16	J3S TKL 008	-	O-ring Diam. 5.7 x 1.9 - perfluorinated	2	1
17	U1G LBT 177	for unions item. 8	Polyurethane blue hose, external Diam. 4 mm		m
18	U1G LBT 133	for unions item. 9	Polyurethane blue hose, external Diam. 10 mm		m

CONNECTING PLATE / DP / WITHOUT REGULATOR - 856 332



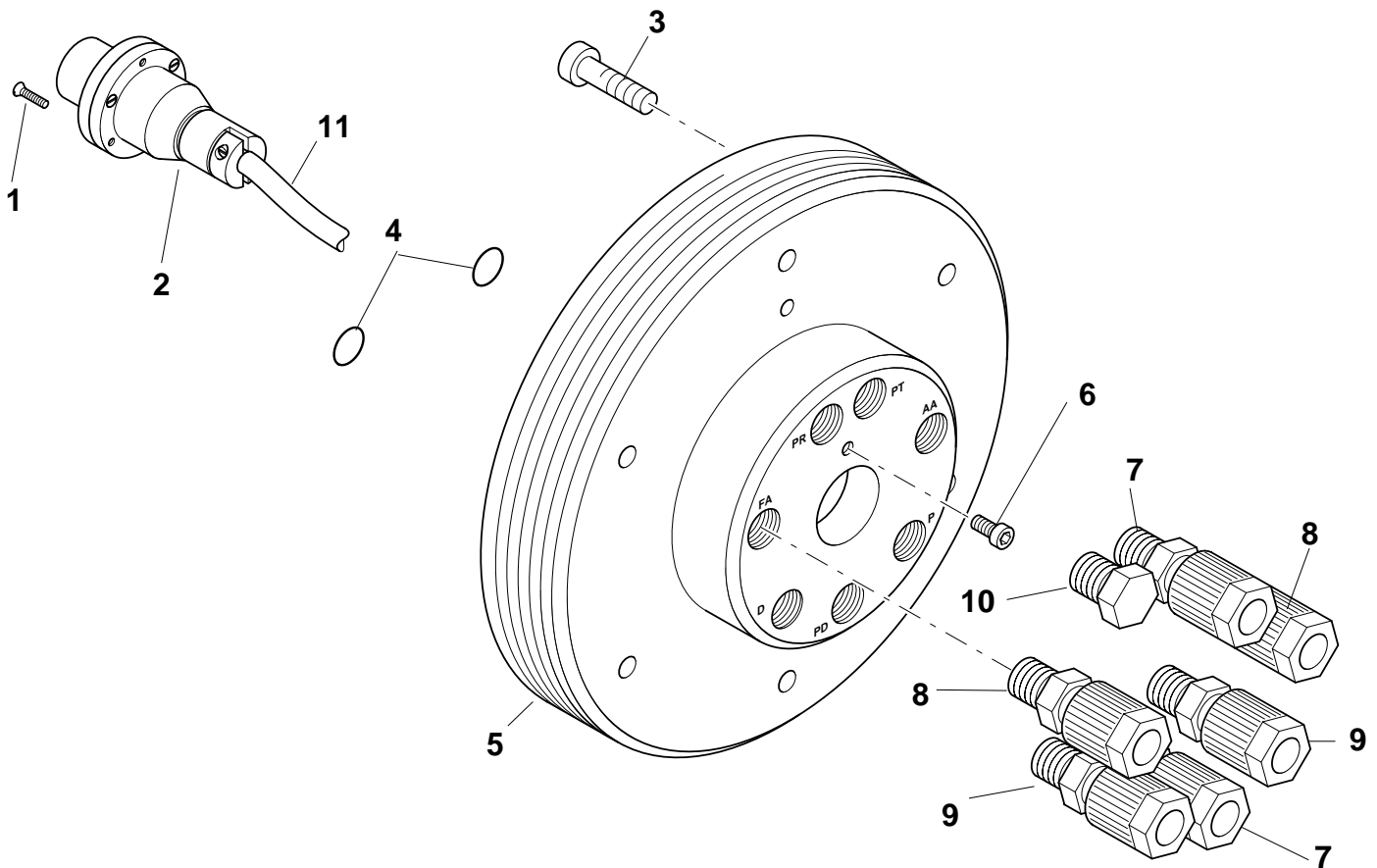
Item	SAMES code	Item on the connecting plate	Description	Qty	Sales unit
	856 332	-	CONNECTING PLATE / DP / WITHOUT REGULATOR		1
1	X4F VFP 047	-	Screw F/90 M 2.5 x 12 Stainless steel	3	1
2	756 639	-	Female plug 5 pins without cable (11)	1	1
3	X4F VSY 184	-	Screw CHc M 5 x 16 Stainless steel	6	1
4	J3T TCN 009	for unions item. 9	O-ring Diam. 5.28 x 1.78 - PTFE	3	1
5	414 007	-	Manufactured and graved plate	1	1
6	X2B VCB 116	-	Screw C M 4 x 6 Stainless steel	1	1
7	F6R AUR 083	PD1-PD2-PT-PV	Union (2.7 x 4 - M5)	4	1
8	F6R PUK 330	AA-FA	Nylon union	2	1
9	F6R PUK 328	D-P1-P2	Nylon union	3	1
10	F6R PBA 002	PR	Nylon plug	1	1
11	E2D DXS 141		Cable		m

CONNECTING PLATE / DP / WITH REGULATOR - 857 691



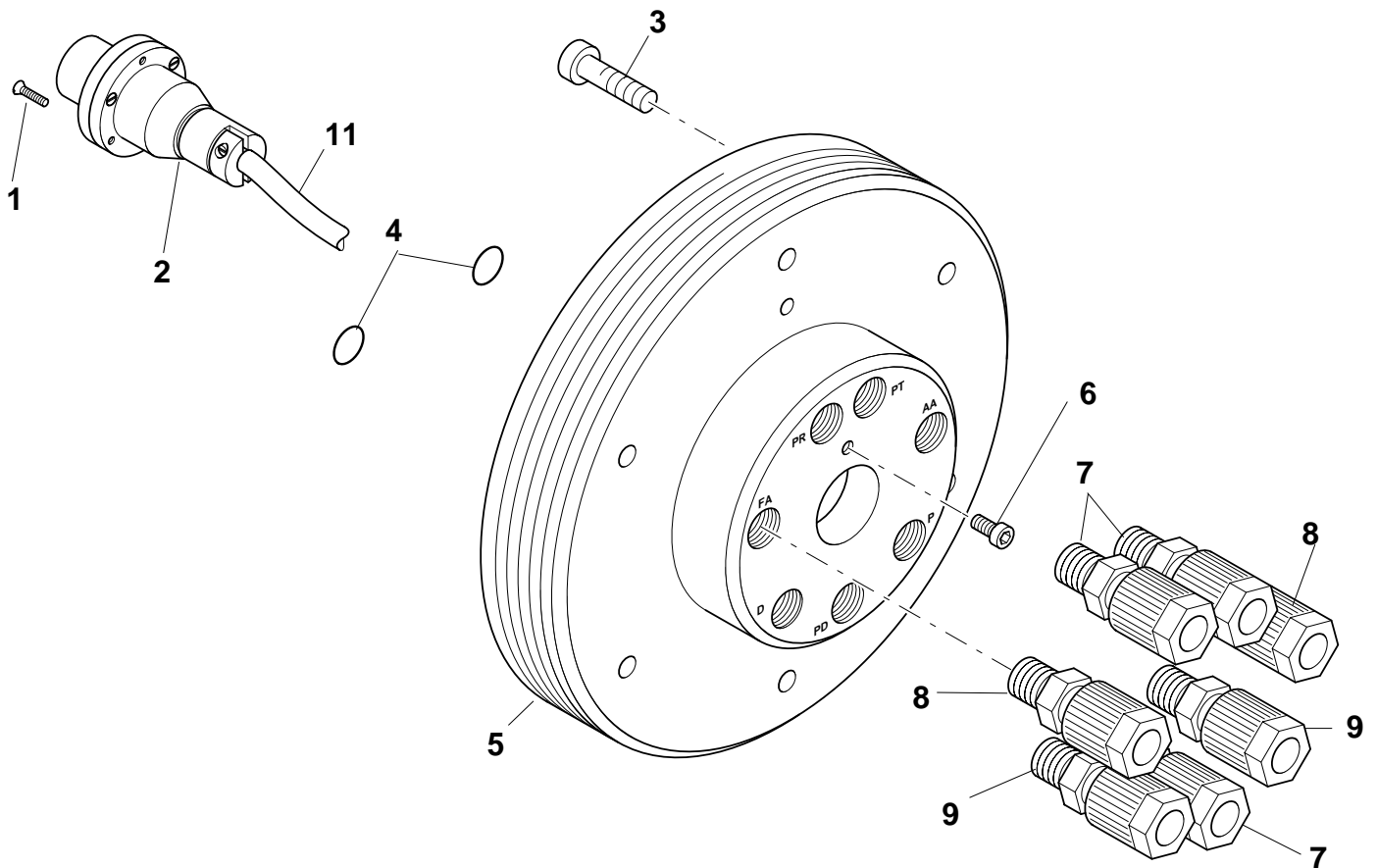
Item	SAMES code	Item on the connecting plate	Description	Qty	Sales unit
	857 691	-	CONNECTING PLATE / DP / WITH REGULATOR		1
1	X4F VFP 047	-	Screw F/90 M 2.5 x 12 Stainless steel	3	1
2	756 639	-	Female plug 5 pins without cable (11)	1	1
3	X4F VSY 184	-	Screw CHc M 5 x 16 Stainless steel	6	1
4	J3T TCN 009	for unions item. 9	O-ring Diam. 5.28 x 1.78 - PTFE	3	1
5	414 007	-	Manufactured and graved plate	1	1
6	X2B VCB 116	-	Screw C M 4 x 6 Stainless steel	1	1
7	F6R AUR 083	PD1-PD2-PR-PT-PV	Union (2.7 x 4 - M5)	5	1
8	F6R PUK 330	AA-FA	Nylon union	2	1
9	F6R PUK 328	D-P1-P2	Nylon union	3	1
11	E2D DXS 141		Cable		m

CONNECTING PLATE / SP / WITHOUT REGULATOR - 852 302



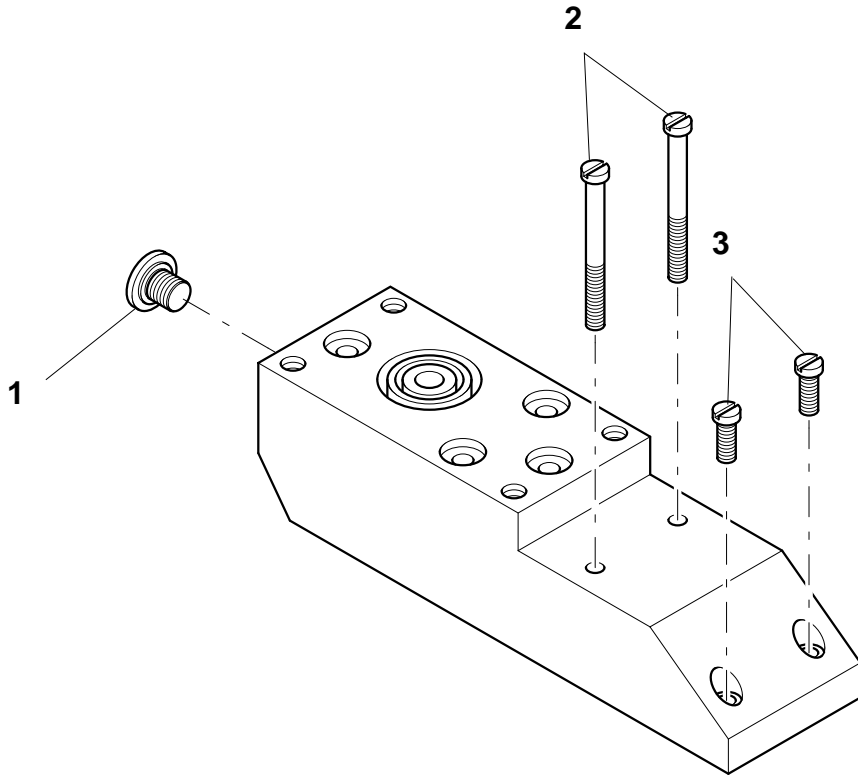
Item	SAMES code	Item on the connecting plate	Description	Qty	Sales unit
	852 302	-	CONNECTING PLATE / SP / WITHOUT REGULATOR		1
1	X4F VFP 047	-	Screw F/90 M 2.5 x 12 Stainless steel	3	1
2	756 639	-	Female plug 5 pins without cable (11)	1	1
3	X4F VSY 184	-	Screw CHc M 5 x 16 Stainless steel	6	1
4	J3T TCN 009	for unions item. 9	O-ring Diam. 5.28 x 1.78 - PTFE	2	1
5	413 583	-	Manufactured and graved plate	1	1
6	X4F VSY 117	-	Screw C M 4 x 8 Stainless steel	1	1
7	F6R PUQ 062	PD-PT	Male union D. 4 - 1/8" G - NY-4MO-1-2RT	2	1
8	F6R PUK 330	AA-FA	Nylon union	2	1
9	F6R PUK 328	D-P	Nylon union	2	1
10	F6R PBA 002	PR	Nylon plug	1	1
11	E2D DXS 141		Cable		m

CONNECTING PLATE / SP / WITH REGULATOR - 853 641



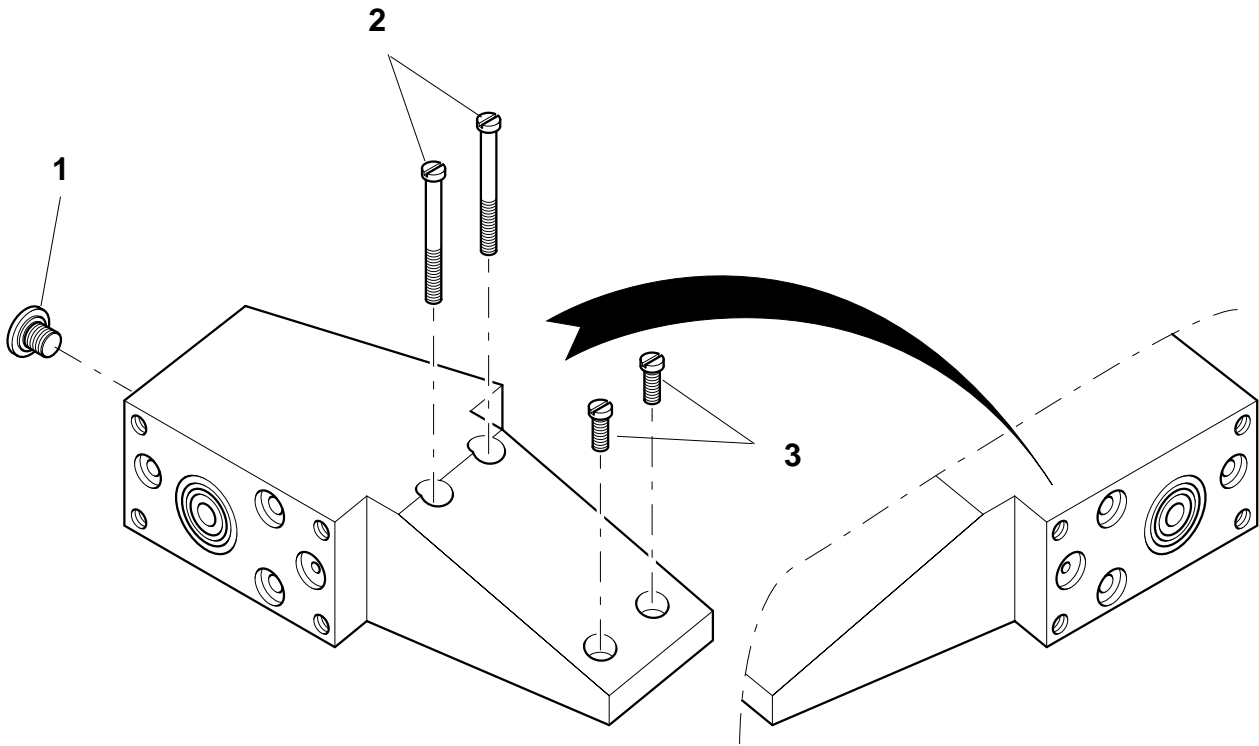
Rep.	Code article	Rep. sur le plan de pose	Désignation	Qté	Unité de vente
	853 641	-	CONNECTING PLATE / SP / WITH REGULATOR		1
1	X4F VFP 047	-	Screw F/90 M 2.5 x 12 Stainless steel	3	1
2	756 639	-	Female plug 5 pins without cable (11)	1	1
3	X4F VSY 184	-	Screw CHc M 5 x 16 Stainless steel	6	1
4	J3T TCN 009	for unions item. 9	O-ring Diam. 5.28 x 1.78 - PTFE	2	1
5	413 583	-	Manufactured and graved plate	1	1
6	X4F VSY 117	-	Screw C M 4 x 8 Stainless steel	1	1
7	F6R PUQ 062	PD-PR-PT	Male union D. 4 - 1/8" G - NY-4MO-1-2RT	3	1
8	F6R PUK 330	AA-FA	Nylon union	2	1
9	F6R PUK 328	D-P	Nylon union	2	1
11	E2D DXS 141		Cable		m

501/90 DEGREE ADAPTER - 750 662



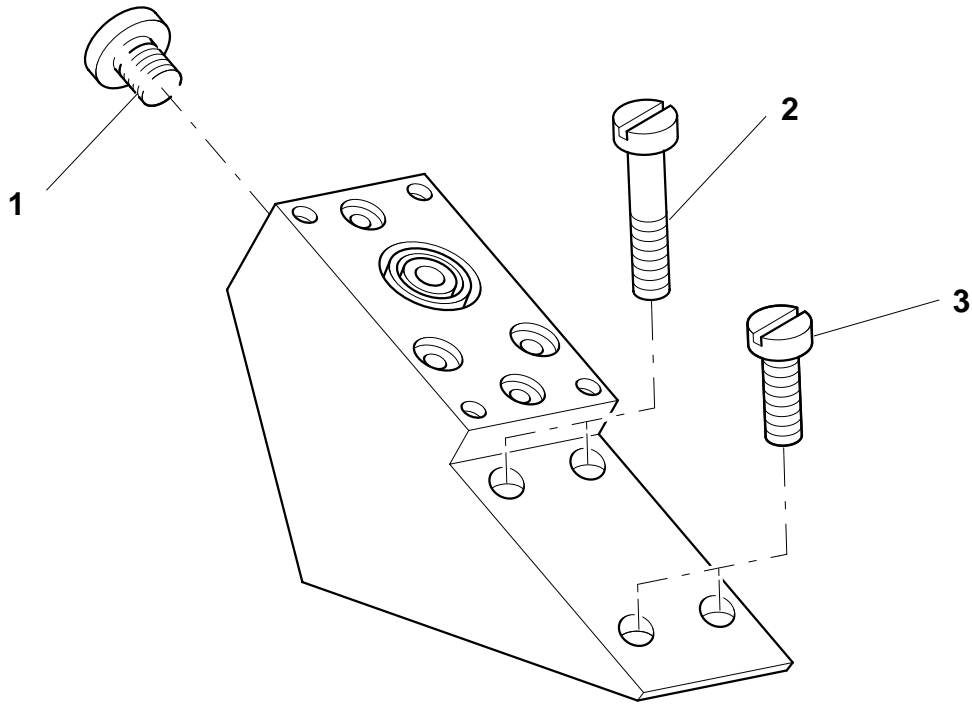
Item	SAMES code	Description	Qty	Sales Unit
	750 662	501/90 DEGREE ADAPTER		1
1	743 394	TRP HV plug	1	1
2	X9N VCB 230	Screw nylon C M 6 x 40 nylon	2	1
3	X9N VCB 223	Screw nylon C M 6 x 16 nylon	2	1

502/90 DEGREE ADAPTER - 459 352



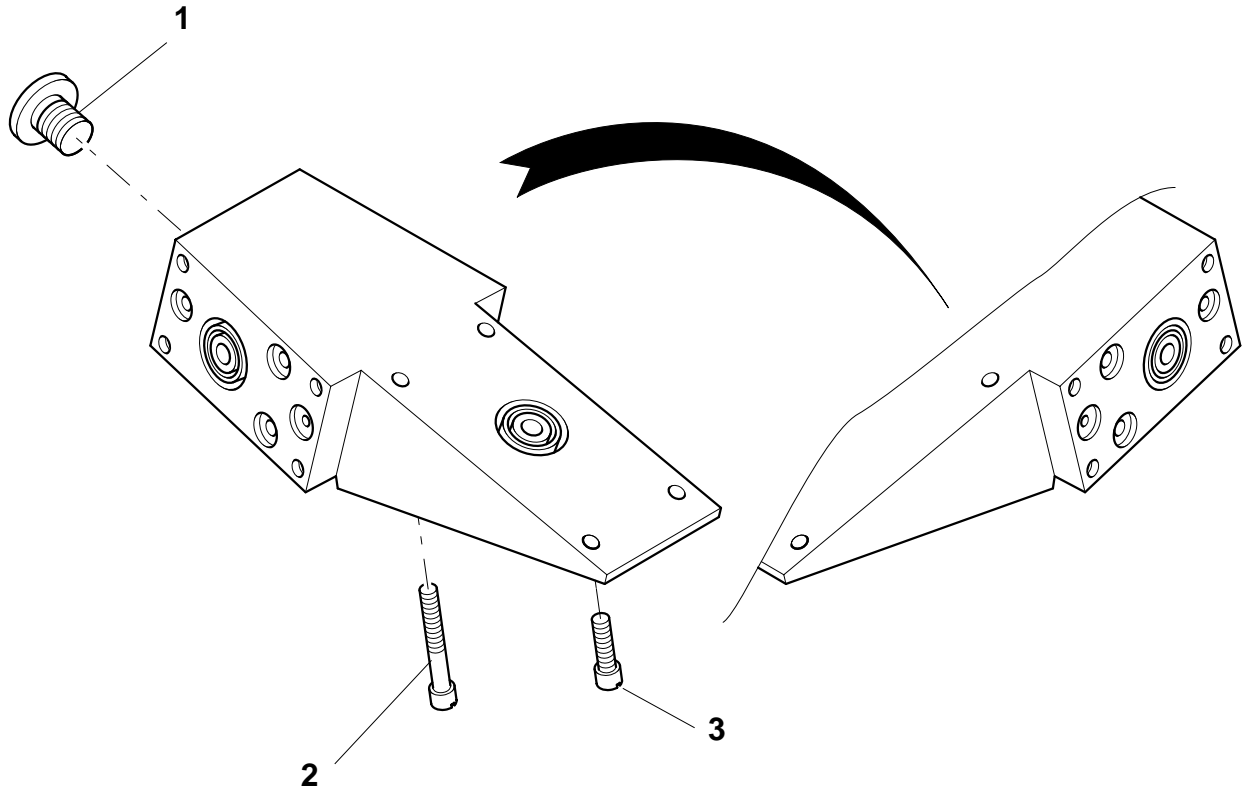
Item	SAMES code	Description	Qty	Sales Unit
	459 352	502/90 DEGREE ADAPTER		1
1	743 394	TRP HV plug	1	1
2	X9N VCB 230	Screw nylon C M 6 x 40 nylon	2	1
3	X9N VCB 223	Screw nylon C M 6 x 16 nylon	2	1

501/60 DEGREE ADAPTER - 750 661



Item	SAMES code	Description	Qty	Sales Unit
	750 661	501/60 DEGREE ADAPTER		1
1	743 394	TRP HV plug	1	1
2	X9N VCB 230	Screw nylon C M 6 x 40 nylon	2	1
3	X9N VCB 223	Screw nylon C M 6 x 16 nylon	2	1

502/60 DEGREE ADAPTER - 459 351



Item	SAMES code	Description	Qty	Sales Unit
	459 351	502/60 DEGREE ADAPTER		1
1	743 394	TRP HV plug	1	1
2	X9N VCB 230	Screw nylon C M 6 x 40 nylon	2	1
3	X9N VCB 223	Screw nylon C M 6 x 16 nylon	2	1